

The Leader in Unified Access & Intrusion

High-Security SCIF (Sensitive Compartmentalized Information Facilities)

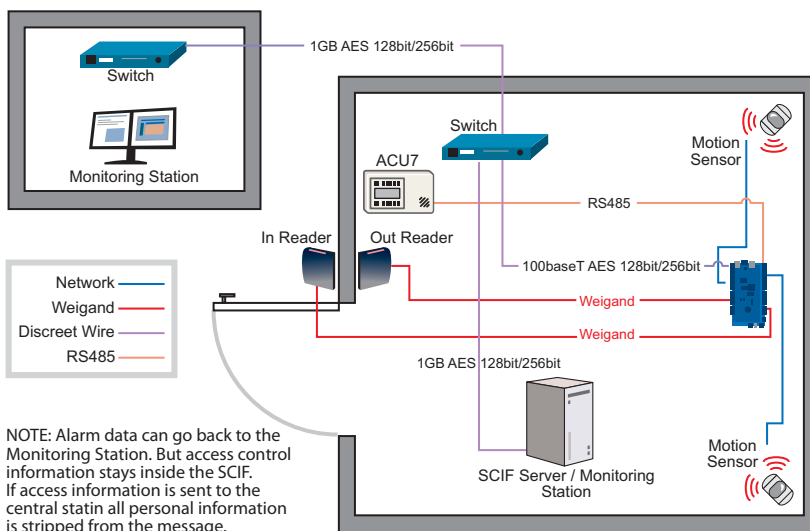
“Closed Area” Solutions

Monitor Dynamics is the clear leader in securing business and agencies, both large and small, including critical infrastructure and Department of Defense (DoD) locations across the globe. MonDyn Engineers have been developing access control and intrusion detection systems for SCIF environments since 1979. The SAFE net platform unifies access control and intrusion detection for Security Officers and Administrators to meet the high-security, DCID and UL system compliance demands required of SCIF environments.

MonDyn offers a turn-key Modular-Off-The-Shelf (MOTS) system for SCIF environments that is affordable, effective and easy to install and operate. Utilizing the latest version of SAFE net 6.2.16 combined with the new BlueEdge UDC technology and ACU7 Keypads, the MonDyn SCIF solution is designed to exceed even the most stringent closed area requirements.

The SAFE net Unified PACS system was designed by Government Security Officers - for Government Security Officers. As the world’s first Modular-off-the-Shelf product offering (MOTS), SAFE net delivers SCIF specific security controls that, at the heart of the system, combine access control and intrusion detection, side by side, better than any competing platform in the security industry - past, present or future.

{SAFE net was the first PACS solution to receive and announce third party independent verification and validation (IV&V) for DITSCAP, DIACAP and FISMA Certification & Accreditation procedures}



www.mondyn.com