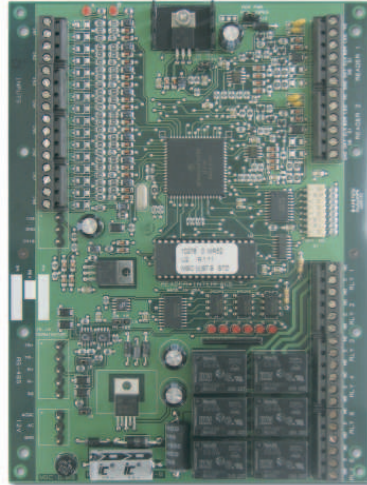


Technical Specifications

Dual Door Interface Controller (DDIF)

The DDIF manages two doors/ portals. (For a single door/ portal use the Door Interface Controller). The DDIF communicates with the SSP over a high-speed RS-485 communication bus that may be extended to 4000 feet. The SSP offers powerful input/ output linking capabilities allowing Door Interface events to operate local or remote relay outputs or initiate command strings.

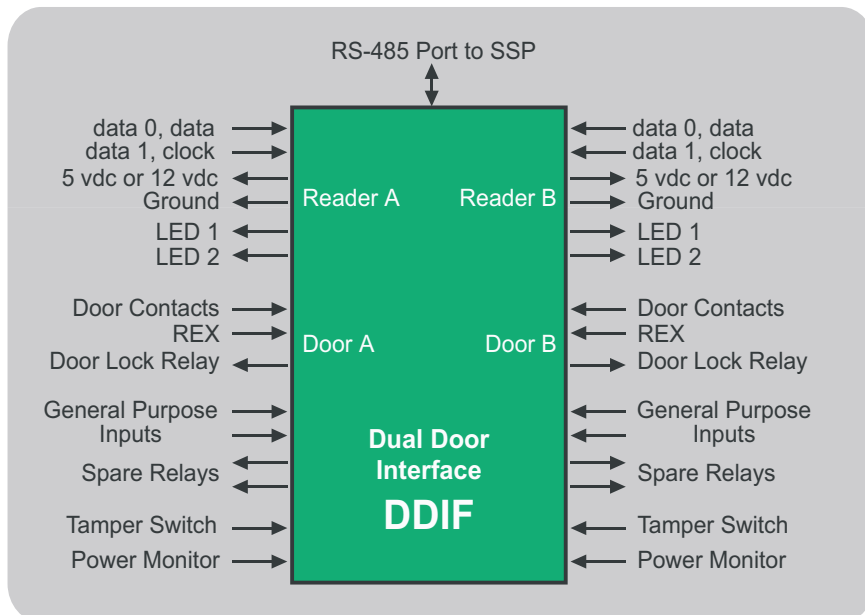
The DDIF provides lock, unlock or facility code offline access modes upon loss of communications with the SSP. It supports up to eight different card formats as well as issue codes for both magnetic and Wiegand card formats.



DDIF Features

- 2 door interface
- On-board 5VCD/12VDC reader power
- 8 card formats
- Issue code support
- 8 supervised inputs (2 door, 2 REX, 4 spare)
- 2 unsupervised inputs (tamper and power)
- 6 Form C relay control outputs
- Input/ output event linking via SSP
- RS-485 communications with SSP

Connection Diagram



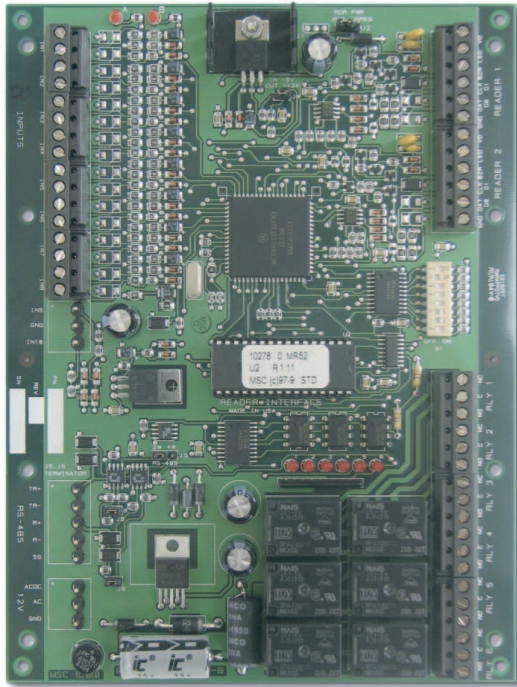
Monitor Dynamics

WWW.MONITORDYNAMICS.COM

Features subject to change without notice.

Technical Specifications

Dual Door Interface Controller (DDIF)



The Dual Door Interface Controller (DDIF) operating with a PointGuard X Security System Processor (SSP) provides door control, alarm monitoring and output control capabilities to PointGuard X Software packages.



Monitor Dynamics

WWW.MONITORDYNAMICS.COM

Technical Specifications

ELECTRICAL

Power 12 Volts DC $\pm 15\%$, 255mA,
12 Volts, AC $\pm 15\%$, 500mA

DIMENSIONS

Width 2.9 in. (74 mm)
Length 3.25 in. (83 mm)
Height 1.4 in. (36 mm)

ENVIRONMENT

Temperature 32°F-158°F, (0°C-70°C),
Humidity 10%-95% (non-condensing)

COMMUNICATIONS

Protocol RS-485, 2-wire or 4-wire
Distance 4,000 feet (1200 m)
Media Type Twisted Pair (Beldon 9841 cable)

FIELD TERMINATIONS

Removable screw-type terminal blocks

READERS

Quantity 1
Reader Inputs

Card Formats
LED Support
Buzzer Support
Keypad Support
Supplied Power

1
Wiegand (data 0/data 1),
Magnetic Stripe (TTL clock/data)
Standard and Custom
2 two-wire or one-wire bi-color
2 only with one-wire bi-color
integrated on reader data lines
+12 VDC @ 40mA total

INPUTS

Supervised Contacts 1 Door Position,
1 Request to Exit
Unsupervised Contacts 1 Cabinet tamper

OUTPUTS

Form-C Contacts 1 Door Lock, 5 Amps@30VDC,
1 Auxiliary, 1 Amp@3DC

**Features subject to
change without notice.**