

Technical Specifications - IDC Hardware

Output Relay Controller (ORC)

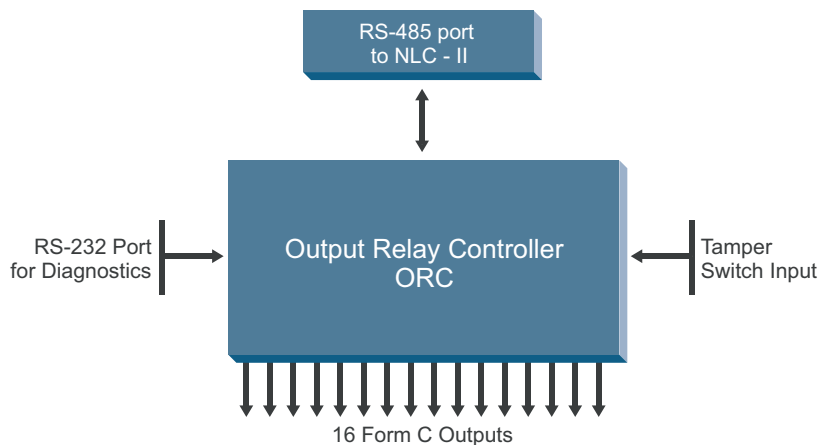
The Output Relay Controller (ORC) is an output control field device for use with the Integrated Digital Controllers. The ORC provides the system interface between the Network Local Controller NLC - II Board and devices that require relay control.

Some typical uses include signaling devices, locks, lighting, and devices that can be controlled by Form-C relays. Relay outputs can be linked to any system event or input.

The ORC features 16 output relays and 1 tamper input. All applications are downloadable into FLASH MEMORY thus eliminating the need to replace EPROMs for application changes and system upgrades.

As customer needs change and grow, additions to the system become cost-effective by simply reconfiguring the system or adding only the required controllers.

The ORC is configured with a diagnostics port which allows field service and other technical personnel to review activity, perform diagnostic analysis, and make some configuration changes.



Electrical

Power 6-16 Volts DC
Current Draw 120mA maximum

Dimensions

Width 7.0 in. (178 mm)
Length 5.0 in. (127 mm)
Height 1.0 in. (26 mm)

Environment

Temperature 32°F-120°F, (0°C-50°C)
Humidity 10%-95% (non-condensing)

Memory

Read Only 64 Kbytes Flash Memory
Random 128 Kbytes SDRAM
Event Storage 512 on loss of communications

Communications

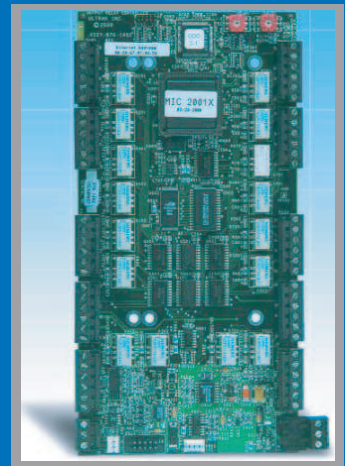
Protocol RS-485
Distance 4,000 feet
Media Type Twisted Pair
(Beldon 9841 cable)
Diagnostics Port RS-232

Outputs

Relay Outputs 16 Form-C
Max. current 1 Amp @ 30Vdc
(resistive load)
LED Display 16 indicating relay status

Input

Tamper Switch 1 unsupervised



Features

- Provides 16 Form-C relay contact sets
- Supports downloadable FLASH MEMORY eliminating the need to change EPROMs for application program - ming and system upgrades
- RS-485 bus allows local installation or remote installation up to 4000 feet (1300m) from NLC - II
- The ORC accepts a 6.0 - 16.0 Vdc power source



Monitor Dynamics
Corporate Headquarters
12500 Network Blvd.,
Suite 303
San Antonio, TX 78249

Design and specifications subject to change without notice.