

Technical Specifications

Relay Output Controller (ROC)

The ROC provides 16 sets of dry Form C (NO/NC) relay contacts for controlling any device that can respond to a contact closure or opening. These relay can be either turned ON , OFF or PULSED (on for a preset time duration) by manual operator request, scheduled operation under time zone control, or as a result be being linked to an alarm input.

ROC Technical Specifications

Electrical

Power 12 Volts DC $\pm 15\%$, 500mA,
12 Volts, AC $\pm 15\%$, 750mA

Dimensions

Width 6.0 in. (152 mm)
Length 8.0 in. (203 mm)
Height 1.0 in. (2.6 mm)

Environment

Temperature 32°F-158°F, (0°C-70°C) ,
Humidity 10%-95% (non-condensing)

Field Terminations

Removable screw-type terminal blocks

Communications

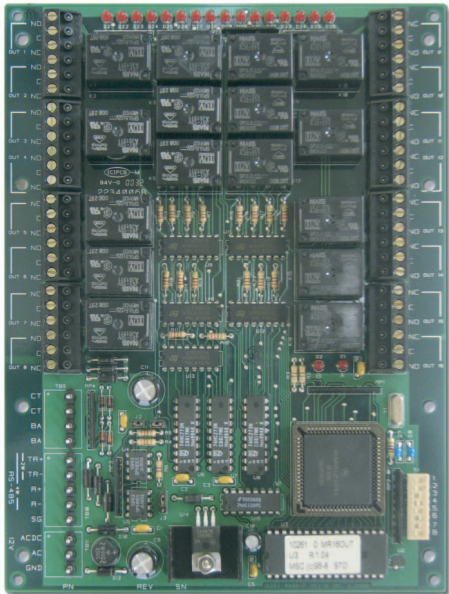
Protocol RS-485, 2-wire or 4-wire
Distance 4,000 feet per channel (1200 m)
Media Type Twisted Pair (Beldon 9841 cable)

Inputs

Tamper Switch 1 unsupervised
Power Monitor 1 unsupervised

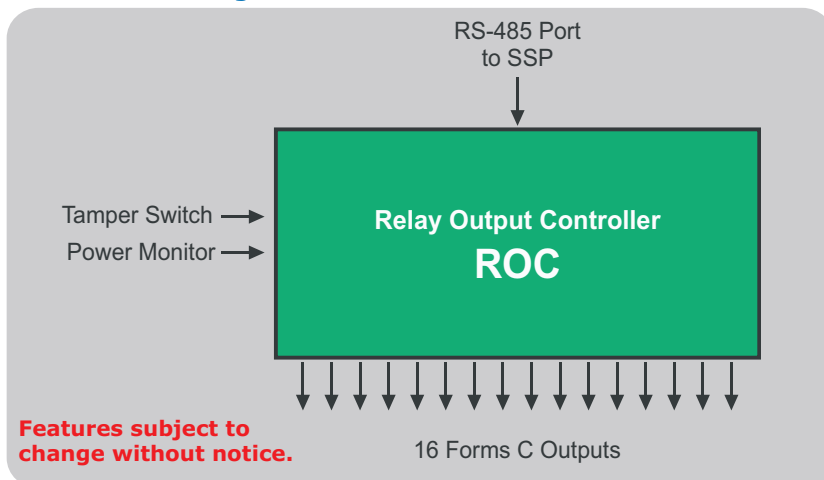
Outputs

Relay Outputs 16 Form-C, Max Current: 5
Amps@30Vdc



The Relay Output Controller (ROC) operating with a PointGuard X Security System Processor (SSP) provides command output capabilities to PointGuard X Software packages.

Connection Diagram



Features subject to
change without notice.



Monitor Dynamics
Corporate Headquarters
12500 Network Blvd.,
Suite 303
San Antonio, TX 78249

WWW.MONITORDYNAMICS.COM